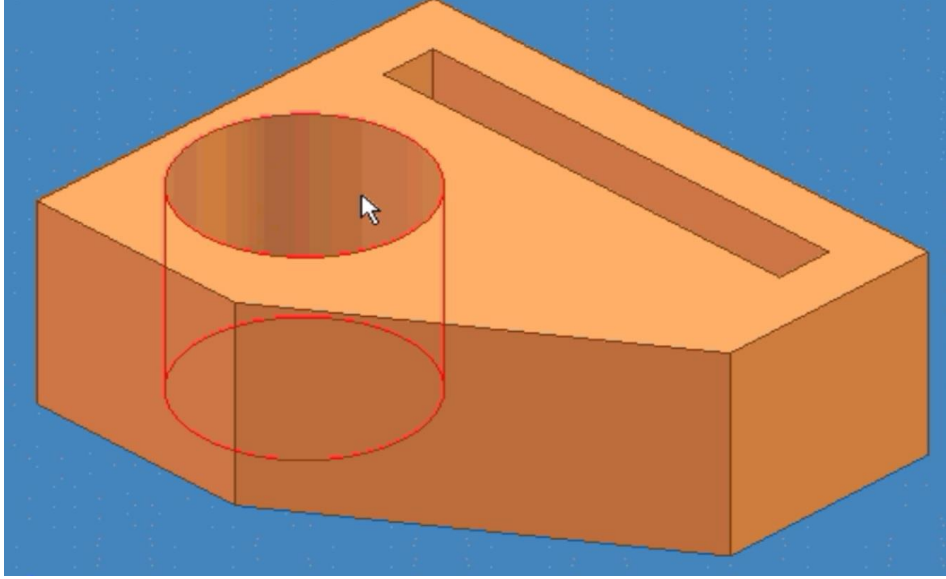


**Technical Drawing II**

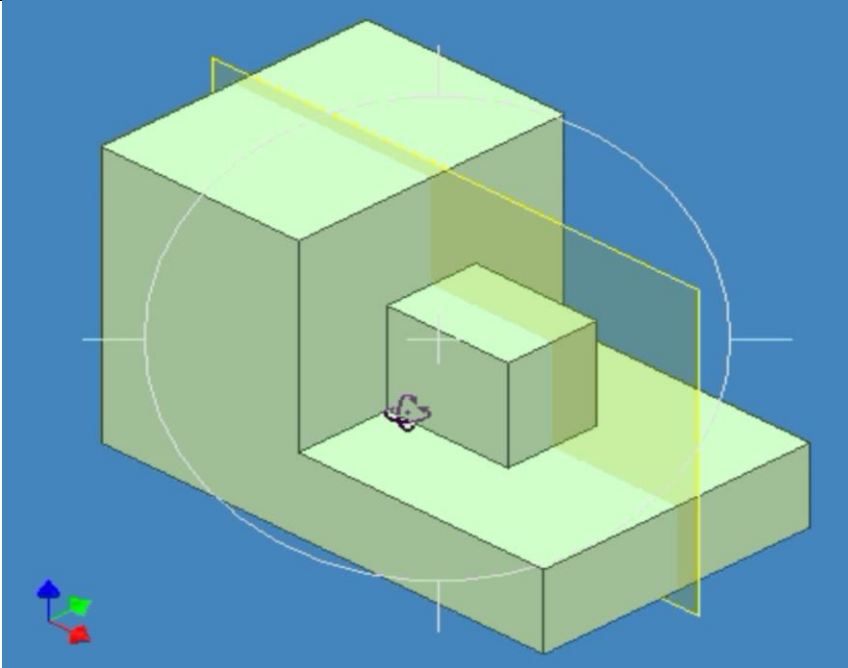
**Practice 1**

**Mehdi Karevan**

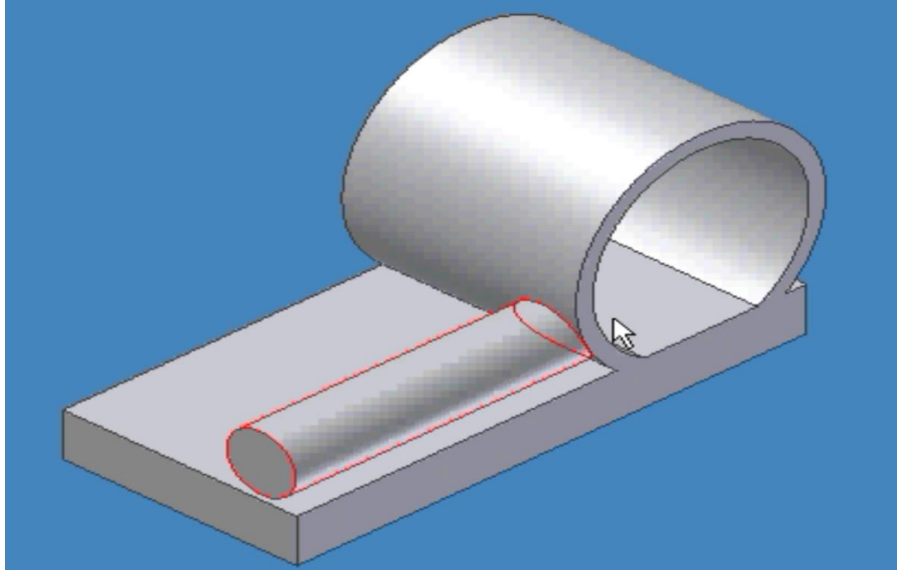
**1**



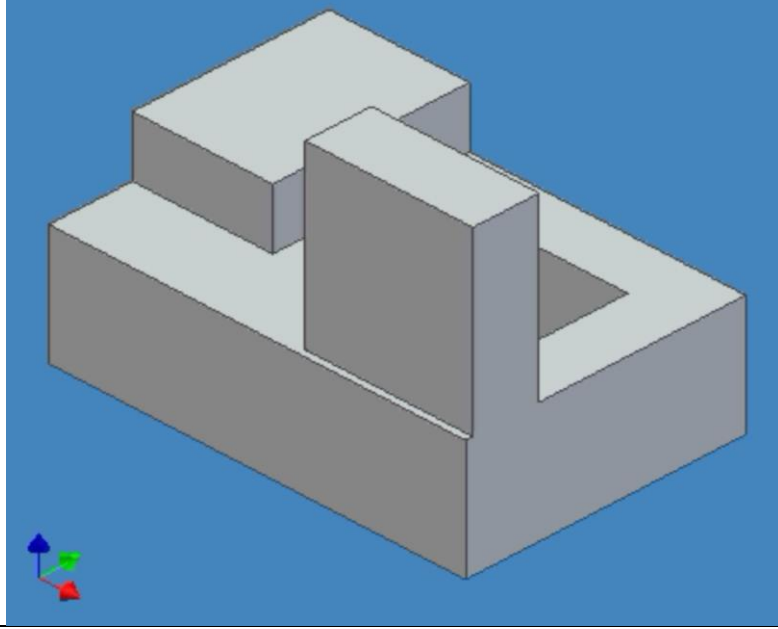
**2**



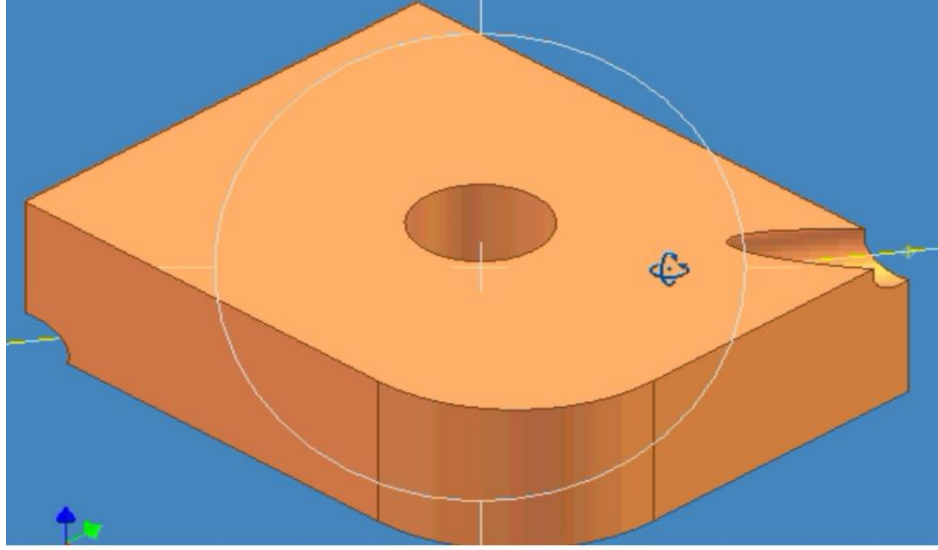
3



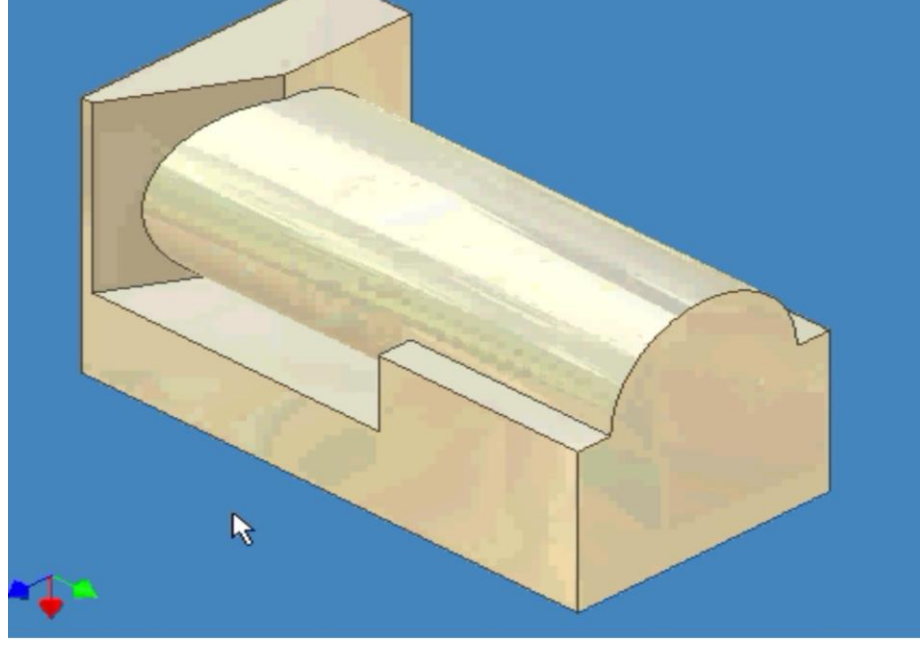
4



6



5



7

